

# G-STYLE BRAIN RETRACTOR SYSTEM

# NOVUS | SURGICAL

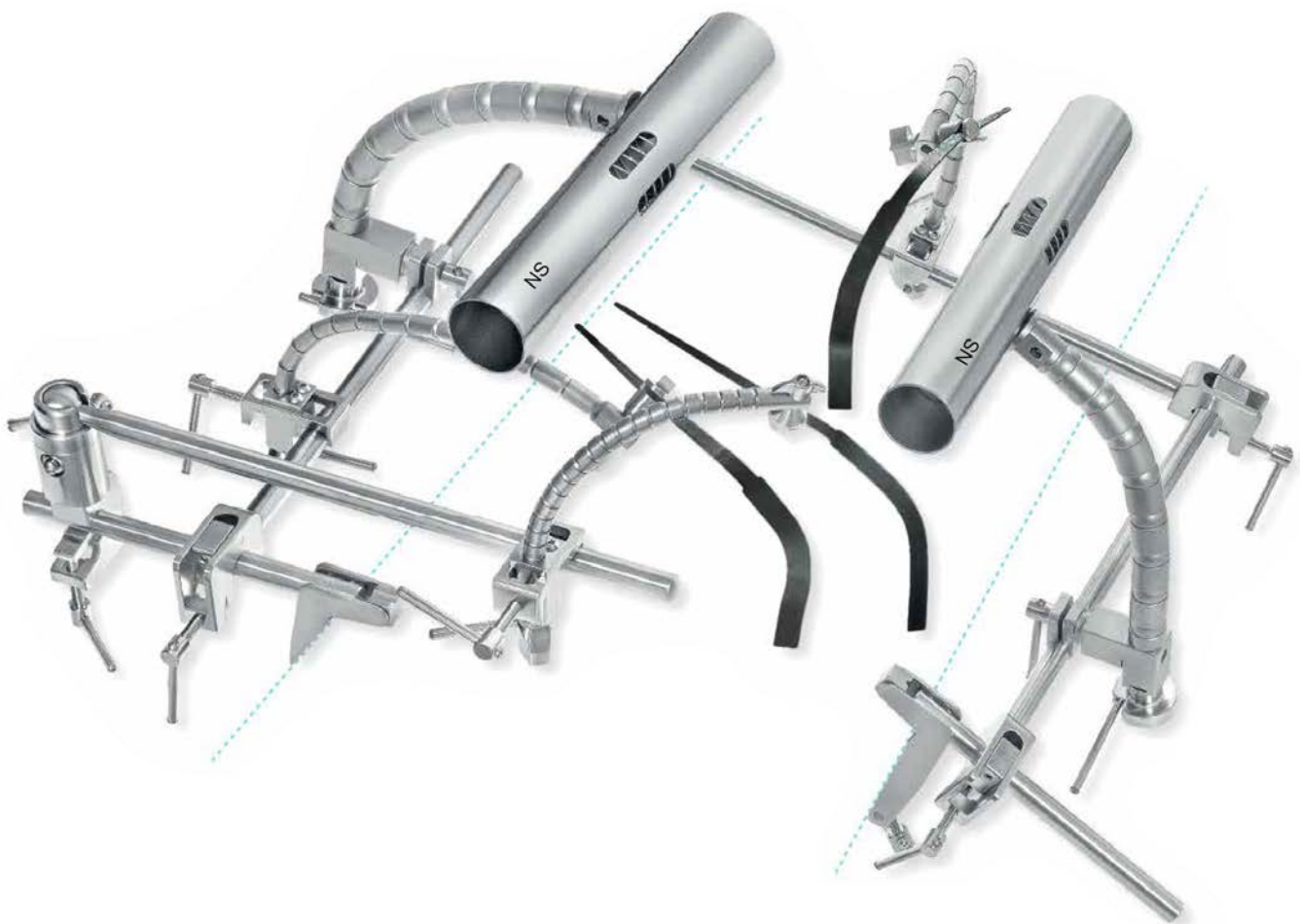


**Novus Surgical, Inc.**

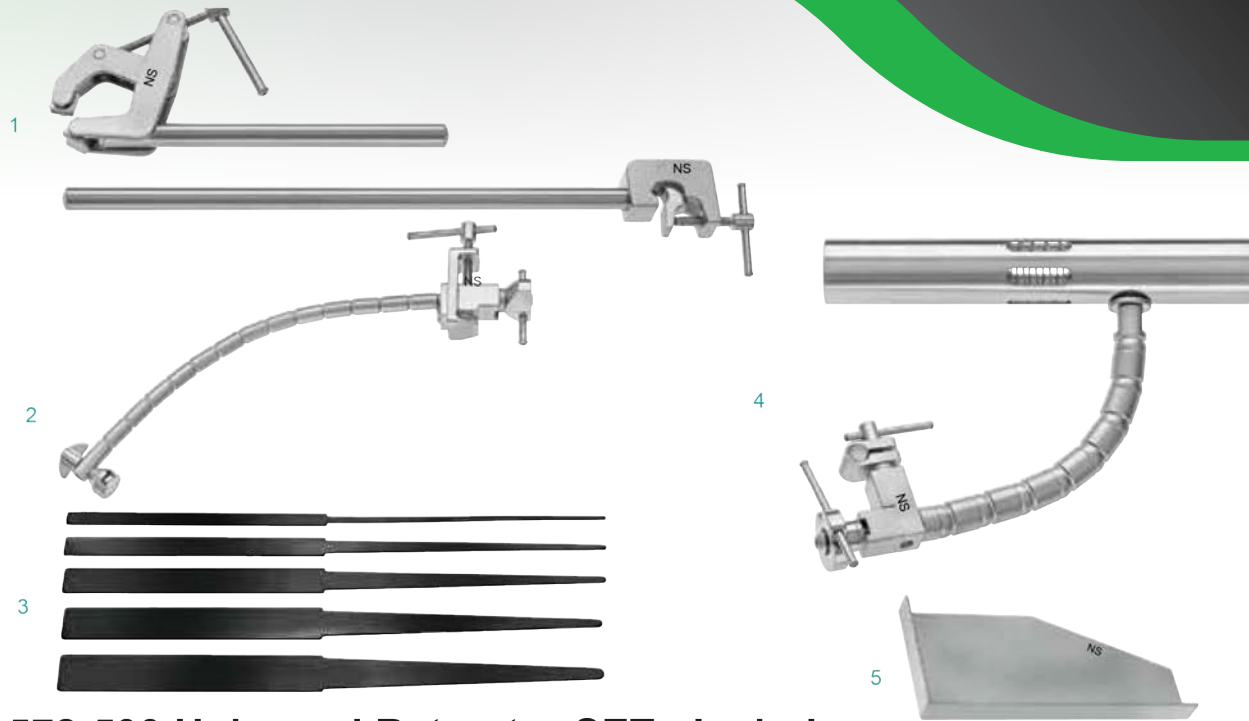
Office 720-851-0611 | Fax 720-851-0612 | Cell 720-308-6886

10940 S. Parker Rd., Suite 783 | Parker, CO 80134 | [www.novus-surgical.com](http://www.novus-surgical.com)

## *Complete Setup of the G-Style Brain Retractor System*



## G-Style Brain Retractor SET



### NS-578-500 Universal Retractor SET - Includes:

#### Description

#### Qty

	Description		Qty		
1	Bars	Primary Bar	2	NS-578-507	
		Secondary Bar	4	NS-578-508	
2	Arm	Flexible Holding Arm, Long	4	NS-578-509	
3	Blades	1.6mm x 6mm	Tapered Retractor Blade, Black-coated	1	NS-578-530
		2mm x 10mm	Tapered Retractor Blade, Black-coated	1	NS-578-531
		3mm x 13mm	Tapered Retractor Blade, Black-coated	1	NS-578-532
		4mm x 16mm	Tapered Retractor Blade, Black-coated	1	NS-578-533
		6mm x 19mm	Tapered Retractor Blade, Black-coated	1	NS-578-534
4	Hand Rest	Hand Rest with Flexible Arm	1	NS-578-512	
5	Pattie Tray	Pattie Tray	1	NS-578-513	

All components are available individually or as a complete kit

## Individual Components



NS-578-517 Simple Primary Clamp



NS-578-507 Primary Bar



NS-578-508 Secondary Bar



NS-578-516 Floating Secondary Bar



NS-578-530 1.6mm x 6mm, 1/16 x 1/4"



NS-578-531 2mm x 10mm, 3/32 x 3/8"



NS-578-532 3mm x 13mm, 1/8 x 1/2"

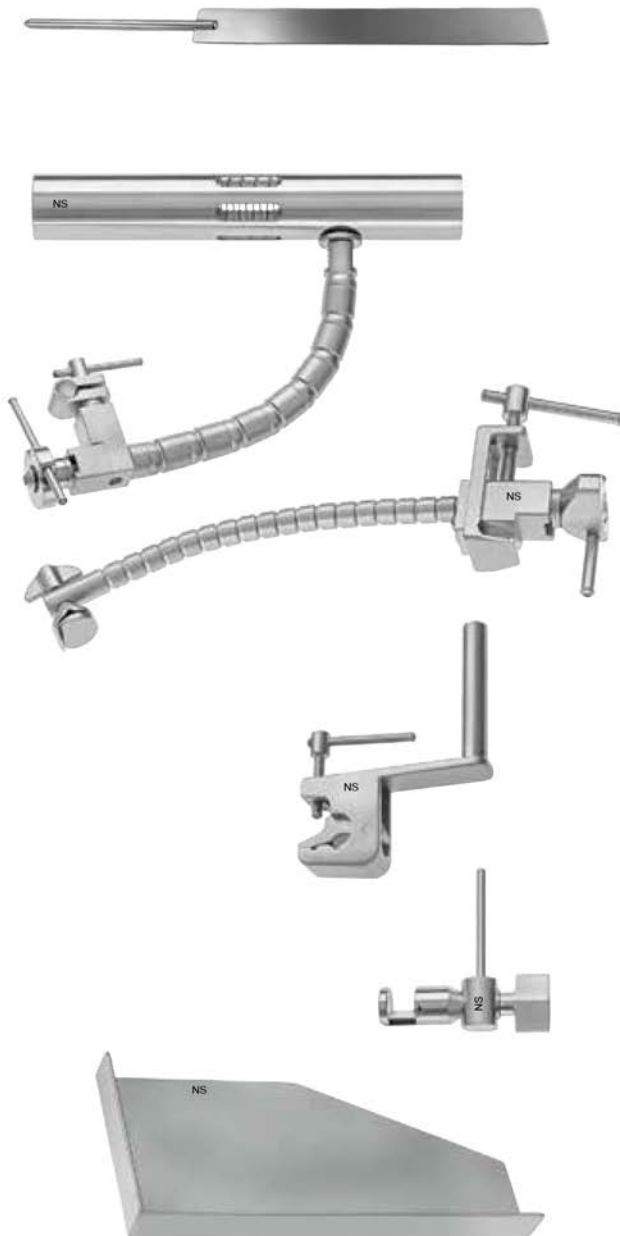


NS-578-533 4mm x 16mm, 5/32 x 5/8"



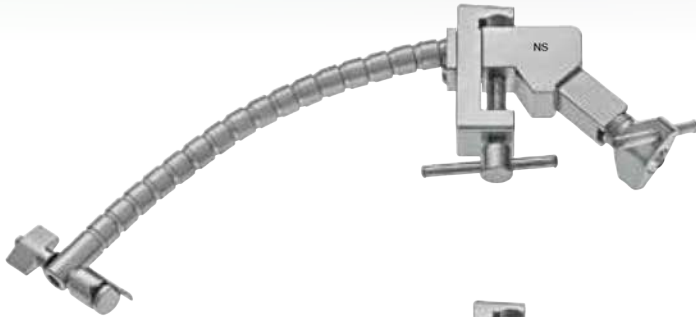
NS-578-534 6mm x 19mm, 1/4 x 3/4"

## Individual Components



- NS-578-501 Malleable Retractor Blade 1/2" X 4"
- NS-578-502 Malleable Retractor Blade 1/4" X 4"
- NS-578-503 Malleable Retractor Blade 3/8" X 4"
- NS-578-504 Malleable Retractor Blade 5/8" X 4"
- NS-578-505 Malleable Retractor Blade 3/4" x 4"
- NS-578-506 Malleable Retractor Blade 1" x 4"
  
- NS-578-512 Hand Rest
  
- Flexible Holding Arm
- NS-578-511 Short, 165mm, 6 1/2"
- NS-578-509 Long, 240mm, 9 1/2"
  
- Short Coupler
- NS-578-522 140mm, 5 1/2"
  
- Maxi Vise Adapter
- NS-578-015 (Doubles diameter from 4mm to 8mm)
  
- NS-578-513 Pattie Tray

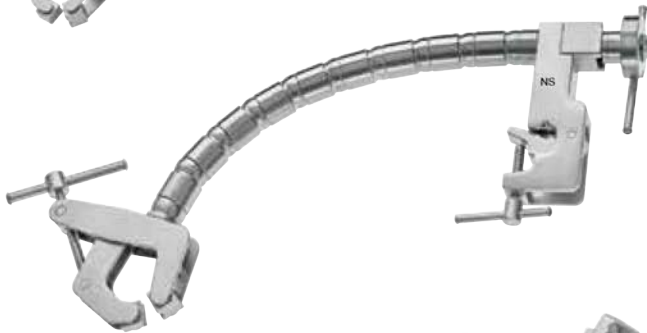
## Individual Components



NS-578-523 Flexible Holding Arm  
(Small Instruments)



NS-578-524 Flexible Holding Arm  
(Large Instruments)



NS-578-525 Flexible Holding Arm  
(Extra Large Instruments)



NS-578-529 Flexible Holding Arm  
(Micro Instruments)

NS-578-514 17" x 10" x 2 3/8"  
Sterilization Case

